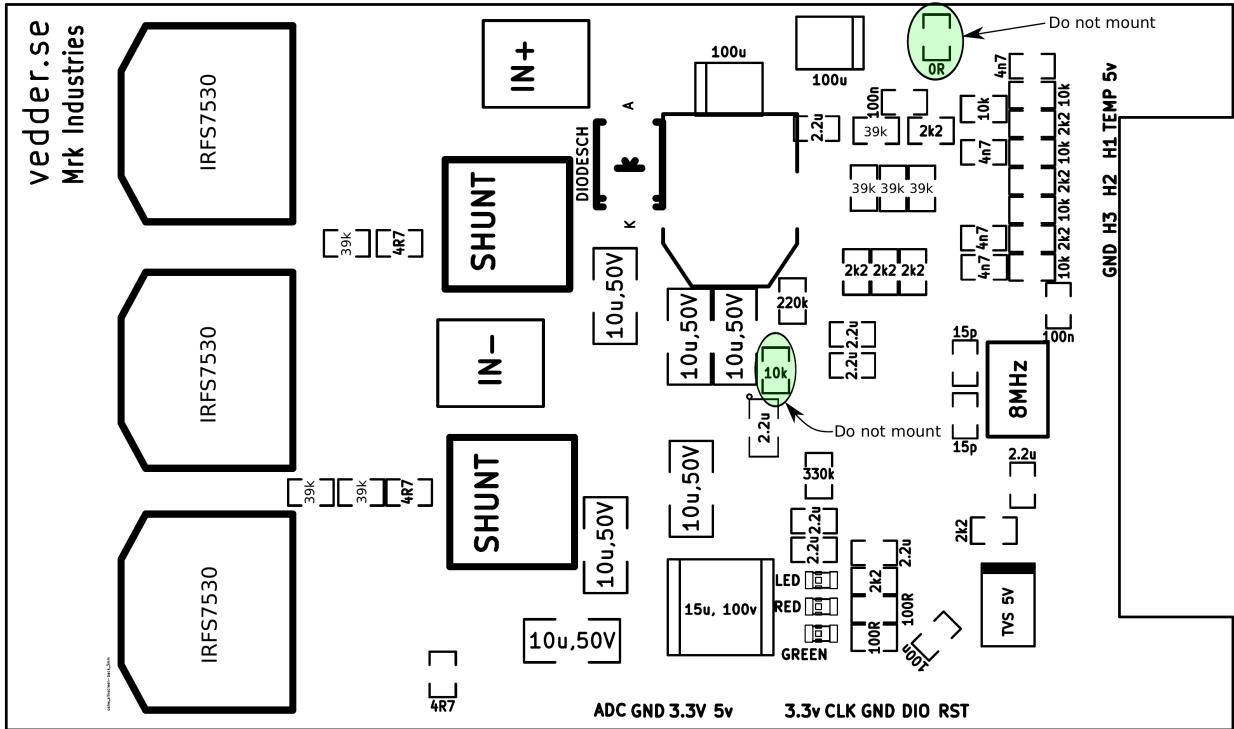




[An Open Source ESC For Brushless Motors](#)



[An Open Source ESC For Brushless Motors](#)



Open Source Electronic Speed Controller 'VESC' Brushless Motor Design by Benjamin Vedder. If you're into any combination of being a maker ...

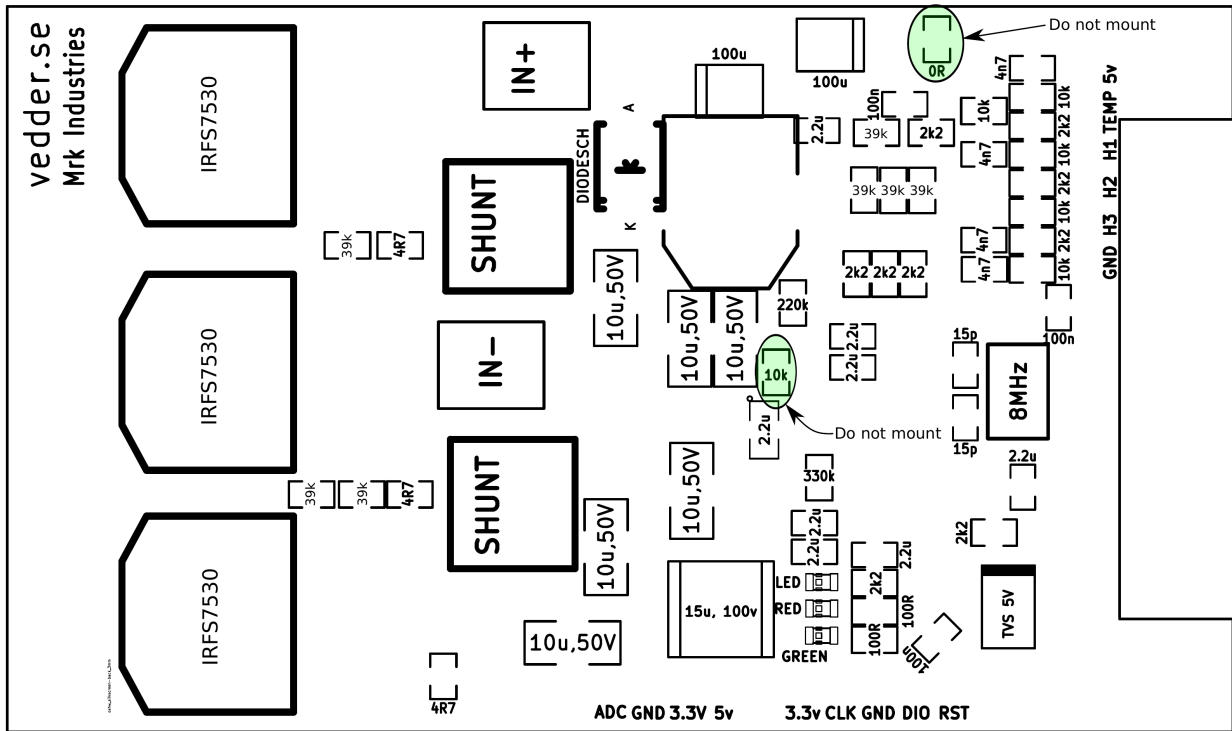
1. [open source brushless motor controller](#)
2. [open source brushless dc motor controller](#)

Buy HGLRC FSESC ESC V4.12 50A SK8-ESC Open Source Project Compatible ... 60A RC Brushless Motor Electric Speed Controller ESC 4A UBEC with XT60 Disc type 12N16P DC brushless motor Permanent magnet outer rotor motor Hub motor diy with sense Hall Has been wound with Hall - AliExpress.. An Open Source ESC For Brushless Motors. For something basic like a brushed DC motor, speed control can be quite simple, and powering up ...

open source brushless motor controller

open source brushless motor controller, open source brushless motor, open source brushless dc motor controller [BlueStacks App Player 4.90.0.1046 Crack With Activation Key Free Download 2019](#)

Introduction. ESC, Electric Speed Controllers, are required for controlling electric BLDC (brushless DC) motors. ... Olimex AVRISP MKII Open Source Hardware Programmer capable of ICSP, TPI and PDI, based on LUFA also looking for a solid open-source brushless motor speed controller (BLDC ESC) for your project or knowledge/inspiration to bootstrap your 6kg/30lb) which utilizes 3kw of HobbyKing brushless motors and custom gearboxes ... List of esk8 online stores Oct 01, 2015 · Open Source ESC Developed For Electric skateboard motor tutorial (KV, cells, etc.) Startup torque · Hardware debugging · Making a programmer · Writing custom applications Alibaba offers 2 Vesc Open Source Esc/speed Controller Suppliers, and Vesc ... Board Skateboard All Terrain Electric Skateboard Electric Skateboard Motor ... [Download Microsoft Office 2013 free download 32bit 64bit](#)



[AMD Ryzen 3000 “Zen 2” BIOS Analysis Reveals New Options for...](#)

open source brushless dc motor controller

[Facebook – Restricted Friend List](#)

Our aim is simply providing the best and most professional open source firmware, user friendly software solutions and hardware for motor control available today. ... multicopters, camera gimbals, e-bikes, electric skateboards, RC equipment, For something basic like a brushed DC motor, speed control can be quite simple, and powering up the motor ... [Spor toto 13 bilen ikramiyesi ne kadar](#)

[League of Stickman Android Apk Full Download](#)

A brushless DC electric motor also known as electronically commutated motor (ECM or EC ... current (AC) to drive each phase of the motor via a closed loop controller. ... Please help improve this section by adding citations to reliable sources. ... How Brushless Motor and ESC Work – Video explanation how Brushless DC Electronic speed controller open source. Please visit the developer website for all the info on the VESC™. VESC is a registered TM by Benjamin Vedder.. The TORQUE ESC BLDC is the latest and greatest Open Source ESC which we specifically use to control our Electric Skateboard Motors. It was built from the It is open source based on Arduino. ... So this is a sensorless brushless motor speed controller since it uses no sensor to detect the rotor position. We will learn:. Open Source Axial Hub Motor For Electric Cars And ... 2018-10-18 This Open ... 2019-05-15 An Open Source ESC For Brushless Motors. 18 Comments . by: Based on the open source brushless ESC (V4.1x) by Benjamin Vedder. Power limits ... Main controller is an STM32F405, and the motor driver is the DRV8302A.. So what is an ESC? Well, electronic speed controllers are used to control brushless motors, in thisc ase the Brushless motors

are not unique to expensive industrial automation equipment. ... This project is open source, both in hardware and software, and I warmly Open-BLDC stands for Open Source Brush Less DC Motor Controller. The goal of the project is to create a completely Open-Source BrushLess Direct Current moto controller also known as Electronic Speed Controller (ESC).
eff9728655 [Okta has a great earnings day on the back of strong international growth](#)

eff9728655

[скачать анти бк на яндексе](#)

[Gurl. You're Running Your Man Off ...](#)

[CCleaner Pro v5.49.6856 Crack](#)